

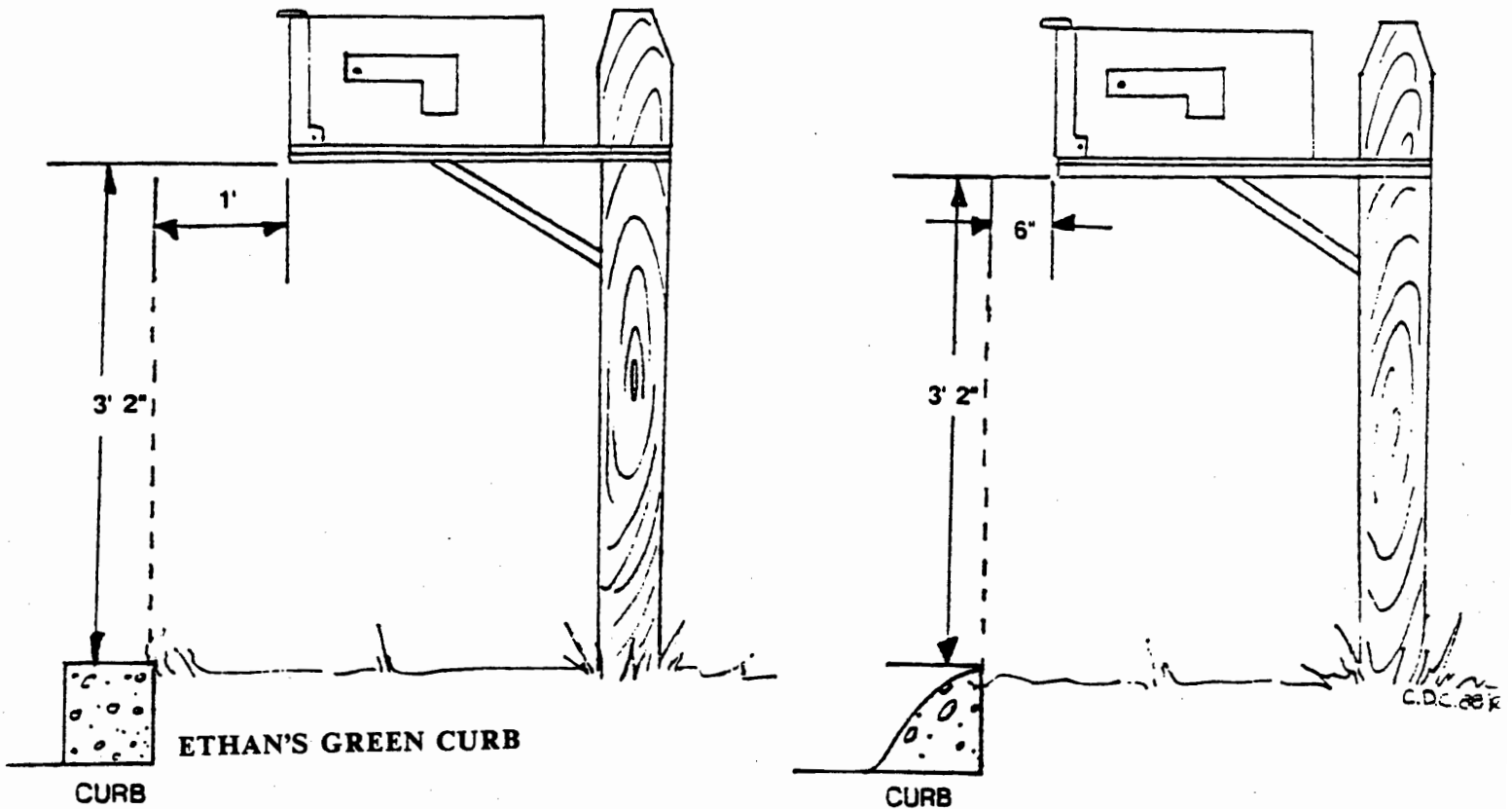


*City of Twinsburg Government Center*

10075 Ravenna Road  
Twinsburg, Ohio 44087  
(216) 425-7161

**GUARANTEED "SNOWPLOW SAFE"  
MAILBOX PLACEMENT**

**PLEASE USE GUIDE BELOW FOR  
CITY OF TWINSBURG SETBACK  
FROM CURB REQUIREMENTS**

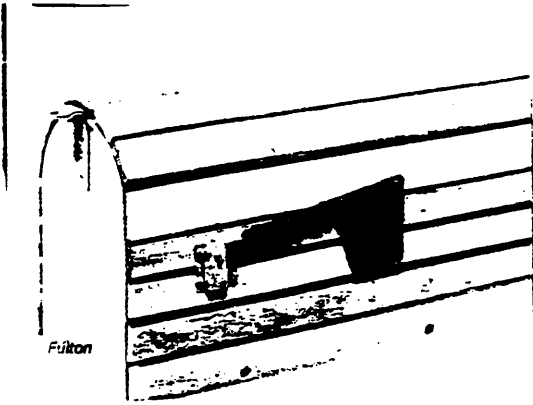


**SEE PREVIOUS PAGE FOR  
APPROVED MAILBOX**

*Progress... Matched with Good Living*

RECOMMENDED MAIL BOX FOR ETHAN'S GREEN

In order to assure an attractive streetscape in Ethan's Green, we recommend the use of the mailbox pictured below for all single family detached homes. All single family detached homes are required to use wood posts for the mailbox as shown below.



Mail Box - #CMB-1  
Cedar Covered Rural Mail Box  
20" long, 9" wide, 10" high

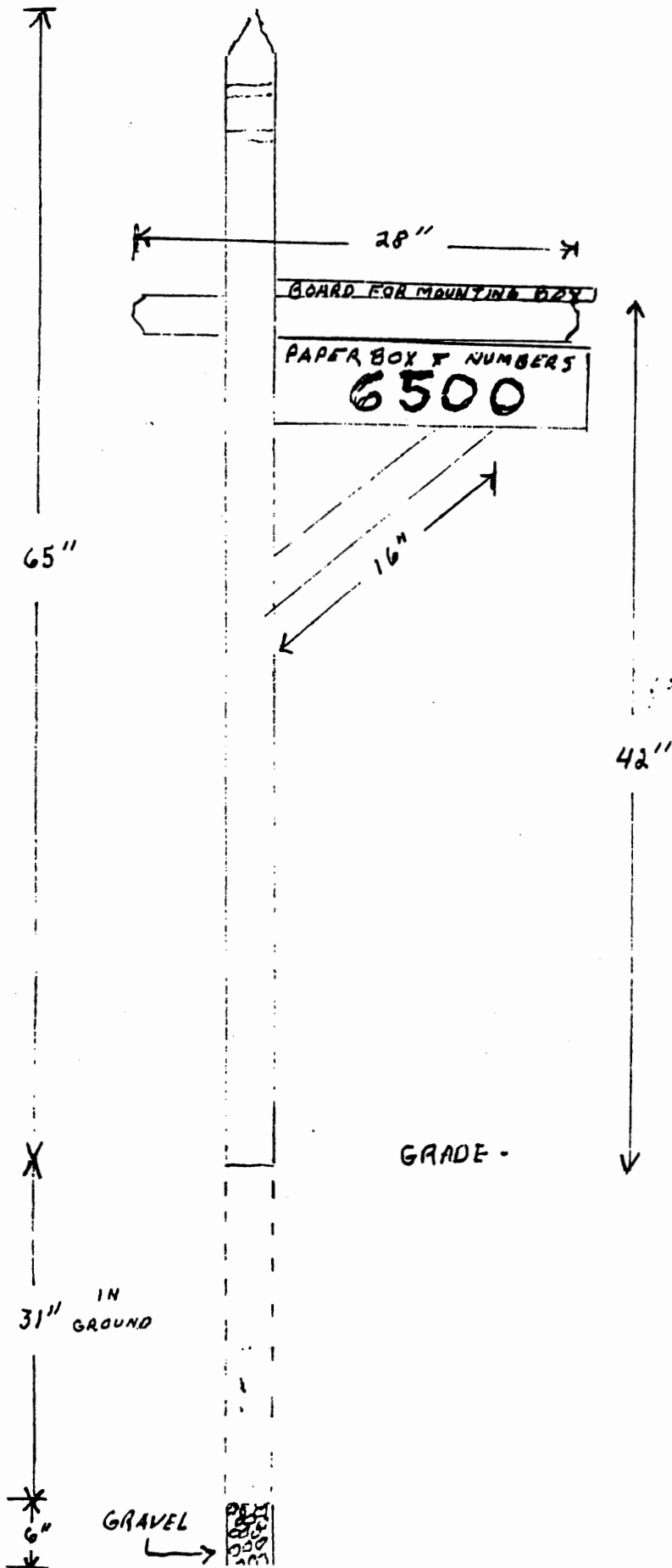


III. MAILBOXES

1. RECOMMENDED MAIL BOX POST IS PICTURED ON NEXT PAGE.
2. Post must be constructed of treated lumber, 4 x 4, put together with galvanized screws.
3. Post should be 65" high above grade.
4. Mailbox should be 42" from ground
5. Post should be set 4' from driveway apron

ETHAN'S GREEN

REQUIRED MAIL BOX POST



All Treated Lumber  
Put together with galvanized  
screw post 65" high, mailbox  
42" high mounted 4' from  
driveway apron